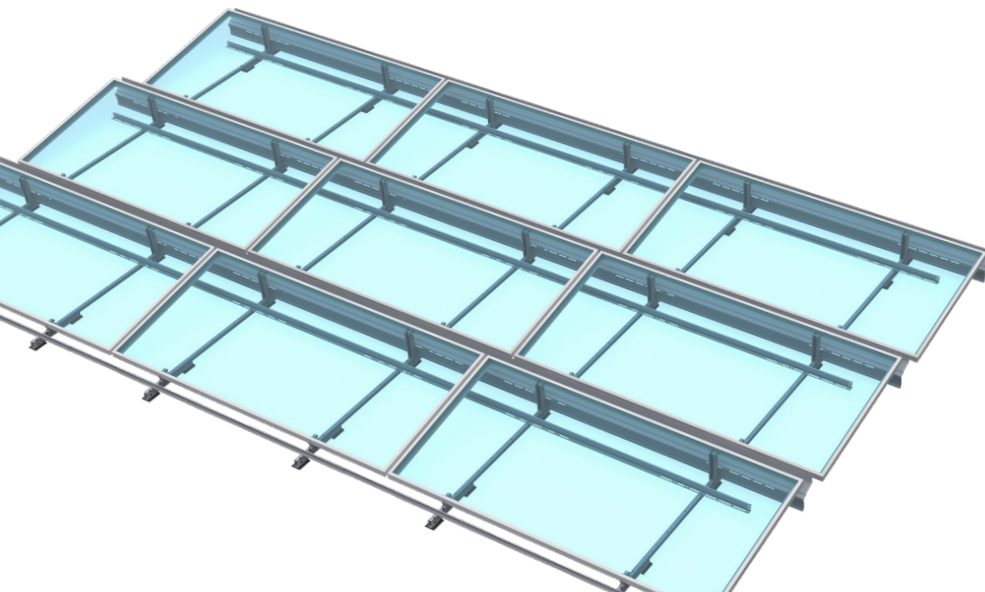


# clawFRplus<sup>®</sup>

## 10 DEGREE

### FLAT ROOF RACKING SPECIALISTS

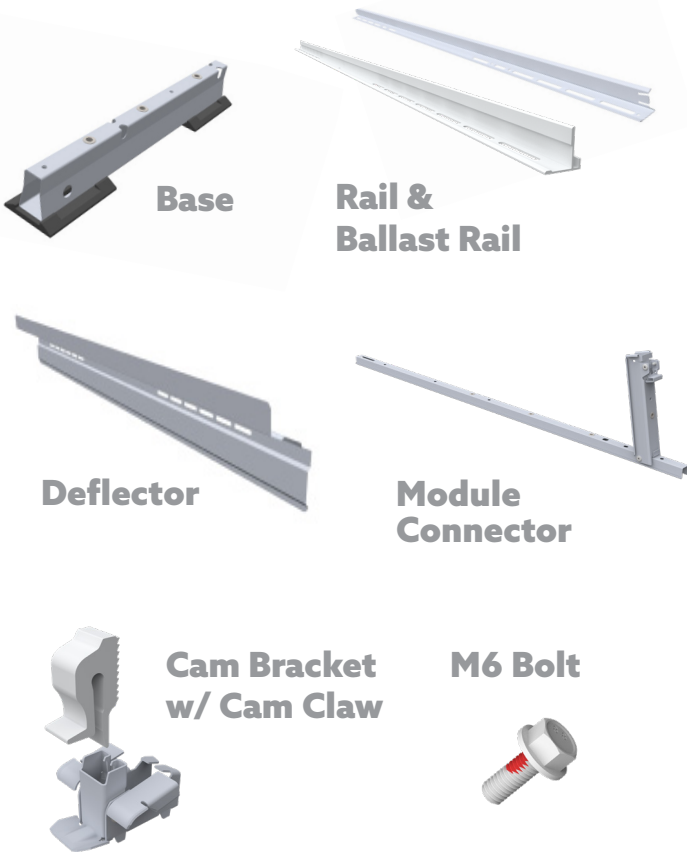
PanelClaw is the only major racking provider in North America focused exclusively on flat roofs. This specialization provides a competitive advantage for our partners. No one knows more about flat roof racking than PanelClaw; no one delivers a more thoroughly tested and reliable platform; and no one matches our level of service. Our mission is to accelerate the deployment of flat roof PV by continually lowering its life-cycle cost while maintaining the highest levels of reliability. The clawFRplus platform is the result of a 15+ year commitment to flat roof.



### ENGINEERED FOR SPEED

- Single M6 bolt hardware kit
- No-tool module attachment
- 11" plus access ways between modules
- 90 degree single-module tilt-up
- Flexible order of operations installation process allows for optimized coordination of building trades on the roof
- Integrated roof protection pads
- One ground lug required per array

## SYSTEM COMPONENTS



## SAFETY & RELIABILITY

clawFRplus™ has undergone a comprehensive suite of reliability and performance tests that exceed US code requirements. Our wind tunnel test program and in-house Intertek® certified satellite test laboratory, supported by third-party peer reviews, collectively form the most comprehensive and robust testing framework in the industry.

### PRODUCT DETAILS

#### APPLICATIONS

< 5° slope flat roofs (up to 7° possible w/engineering review)

#### ROOF TYPE COMPATIBILITY

Membrane, tar and gravel, ballasted, BUR, concrete, asphalt (not compatible with metal roofs)

#### 3 ROW SPACING OPTIONS

11" | 14" | 17"

#### PLATFORM LOAD

~ 2.0 - ~ 12.0 psf

#### MODULE ORIENTATION

Landscape

#### MODULE ATTACHMENT

Airy point flange mounted

#### BASIC WIND SPEED

Up to 190 mph ASCE 7-16 (>190 mph by approval)

#### WIND EXPOSURE CATEGORY

B and C (D with review)

#### USGS SEISMIC CATEGORIES

A, B, C, D (others require engineering review)

#### WARRANTY AND CERTIFICATIONS

25 year warranty  
ANSI/UL 2703-2015 Listed  
System Fire Rating  
Class A with Module Types 1, 2, 16, 19, 22, 25, 29, 30 and 38

## UNIVERSAL TOOL-LESS MODULE CONNECTIONS

clawFRplus improves on the industry leading clawFR platform. Upgraded high and low side module connections increase system performance and eliminate module adaptor accessories while maintaining clawFR's easy to install architecture.

## O&M FEATURES

- Optimizers mount on the Module Connector Tilt Arm, under the module and near the gap between two modules
- ZAM® coating with 3x better corrosion resistance than G90
- Mechanical roof attachments, when needed, are placed in the module row gaps for easy O&M inspection

clawFRplus®  
10 DEGREE

 **panelclaw**®  
AN ENSTALL COMPANY

  
**MADE IN THE USA**

(978) 688.4900 | SALES@PANELCLAW.COM | PANELCLAW.COM