

4

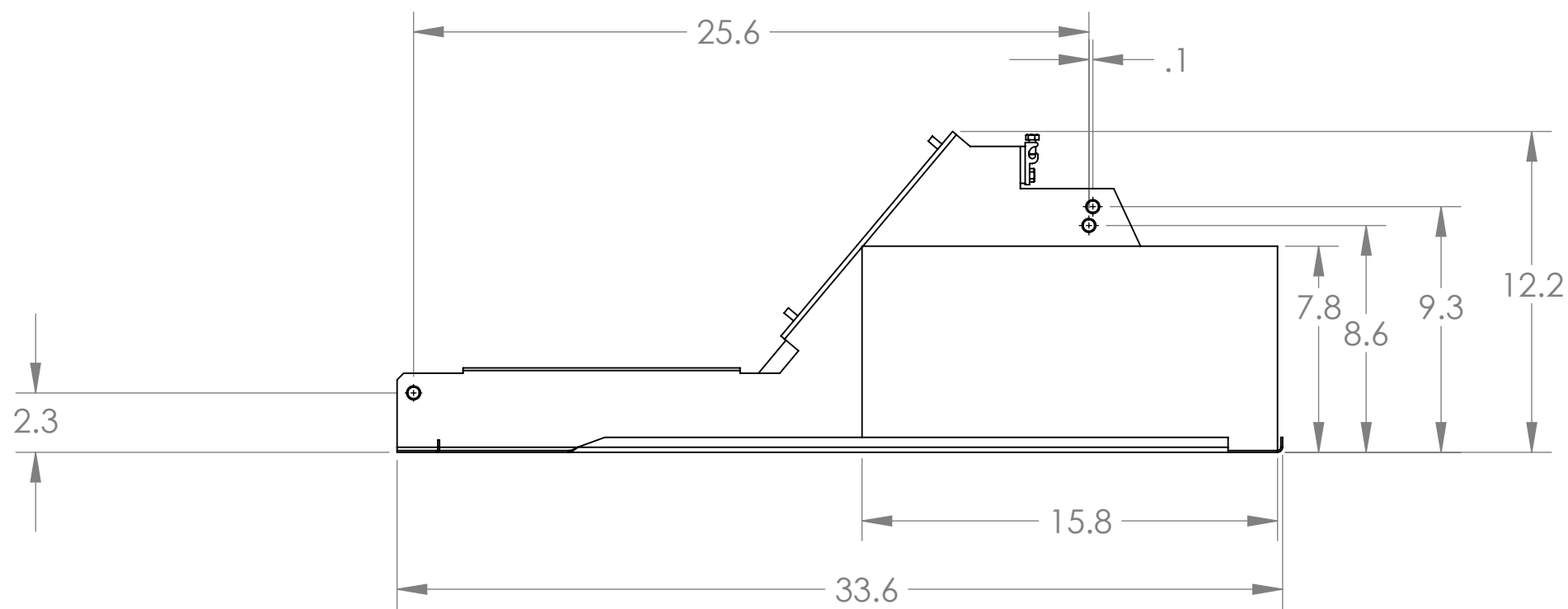
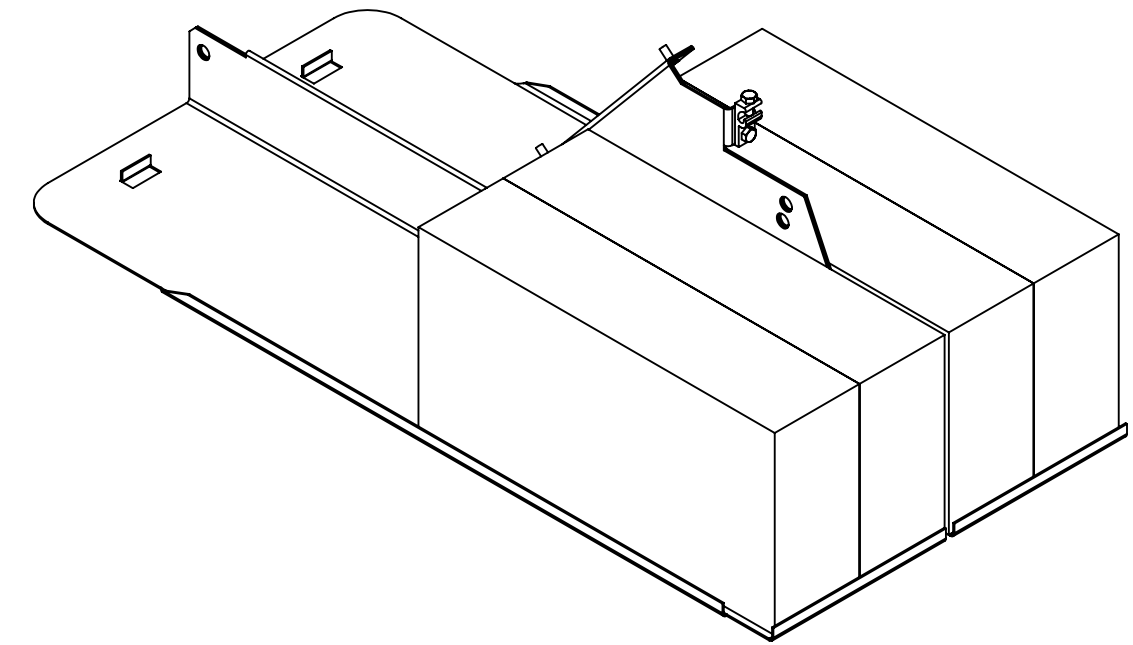
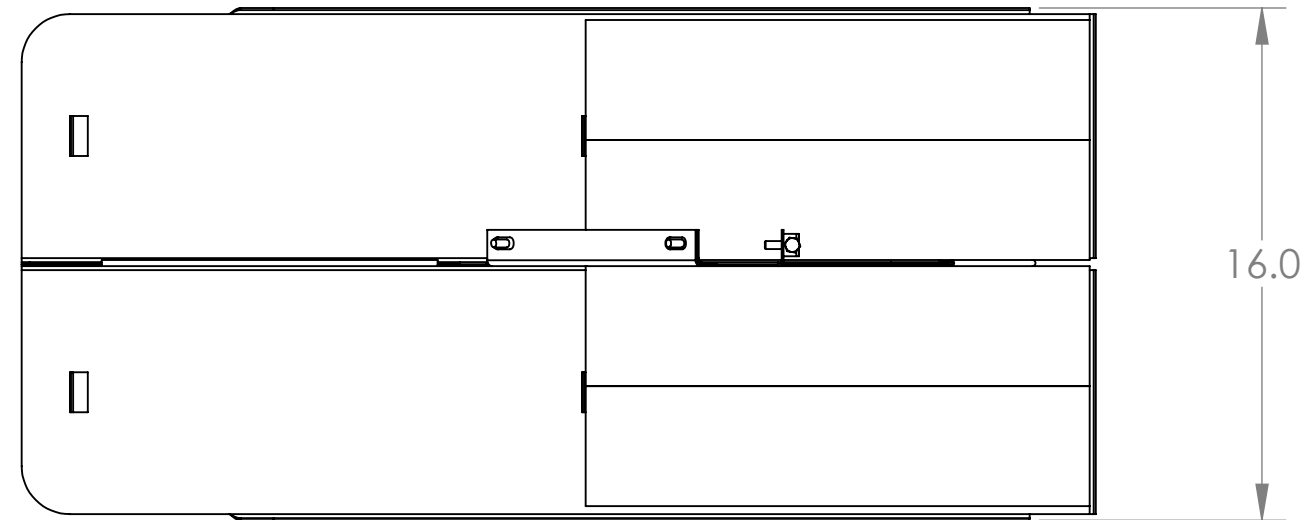
3

2

1

NOTES:
 1. INSTALLATION TO BE COMPLETED IN ACCORDANCE WITH MANUFACTURER'S SPECIFICATIONS.
 2. CONTACT MANUFACTURER FOR DETAILED LAYOUT.

REV	ZONE	DESCRIPTION	APPROVED	DATE



ALL DIMENSIONS ARE IN INCHES- INTERPRET DRAWING PER ASME Y14.5 -1994

TOLERANCES UNLESS OTHERWISE SPECIFIED:
 X.X ± .03 $\angle \pm .5^\circ$
 X.XX ± .015
 X.XXX ± .005 63/

REMOVE ALL BURRS AND SHARP EDGES .005R OR CHAMFER MAX

APPROVED	DATE
PREP BY D. ANDERSON	9-25-08
CHECKED	
RESP ENG	
MFG ENG	
QUAL ENG	

		POLAR BEAR LINK ASSY 4 BLOCK	
SIZE C	FSCM NO.	PART NO. SUP001	REV A
SCALE 1:6	WT 110 LB	SHEET 1 OF	1

4

3

2

1

↑

1